

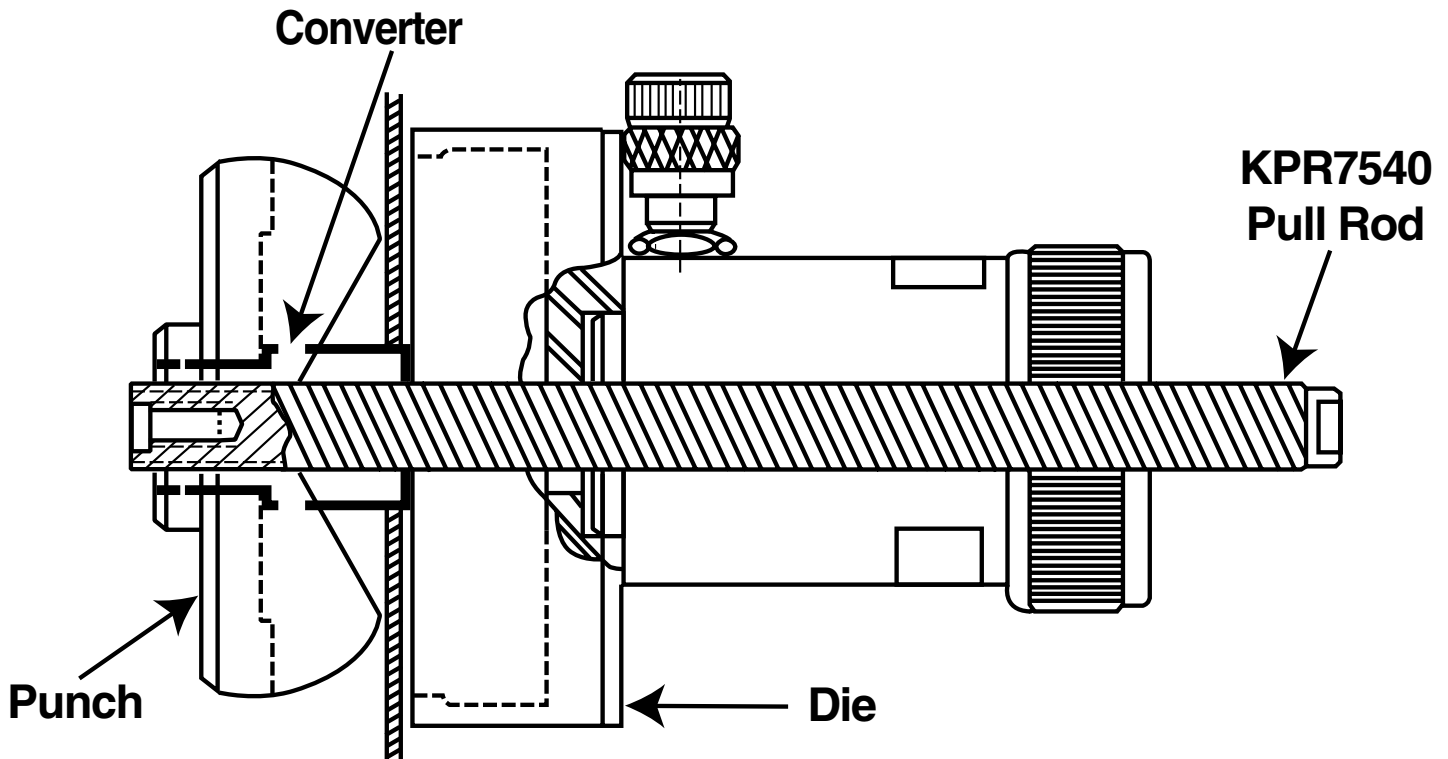
**For Punching Holes 3 1/2" thru 6"**

When using 3 1/2" thru 6" punches and dies, thread the KC3540 Converter into the punch from the inside until seated (see sketch). Be sure the die counterbore is positioned over the boss projecting from the port end of the cylinder base.



*The converter requires a 1 15/16" diameter or larger guide hole (use the 1 1/2" knockout).*

**Do not assemble converter on outer side of punch, or pull rod will bend during operation.**



**REPAIR AND SERVICE INSTRUCTIONS:** For repair service and parts contact your nearest GB ELECTRICAL Service Center. The Service Center will provide complete and prompt service on all GB ELECTRICAL products.

**PARTS AND SERVICE:** For quality workmanship and genuine GB ELECTRICAL parts, select an Authorized GB Service Center for your repair needs. Only repairs performed by an Authorized Service Center displaying the official GB Authorized sign are backed with full factory warranty. Contact GB Electrical (414) 352-4160 for the name of the nearest GB Authorized Service Center.

**WARRANTY:** GB ELECTRICAL, INC. warrants its products against defects in workmanship and materials for 1 year from date of delivery to user. Chain is not warranted. Warranty does not cover ordinary wear and tear, abuse, misuse, overloading, altered products or use of improper fluid.

**WARRANTY RETURN PROCEDURE:** When question of warranty claim arises, send the unit to the nearest GB Authorized Service Center for inspection, transportation prepaid. Furnish evidence of purchase date. If the claim comes under the terms of our warranty the Authorized Service Center will REPAIR OR REPLACE PARTS AFFECTED and return the unit prepaid.



GB Electrical, Inc.  
An Applied Power Company

6101 N. Baker Road, Milwaukee, WI 53209  
Phone: (414) 352-4160 FAX (414) 352-2377