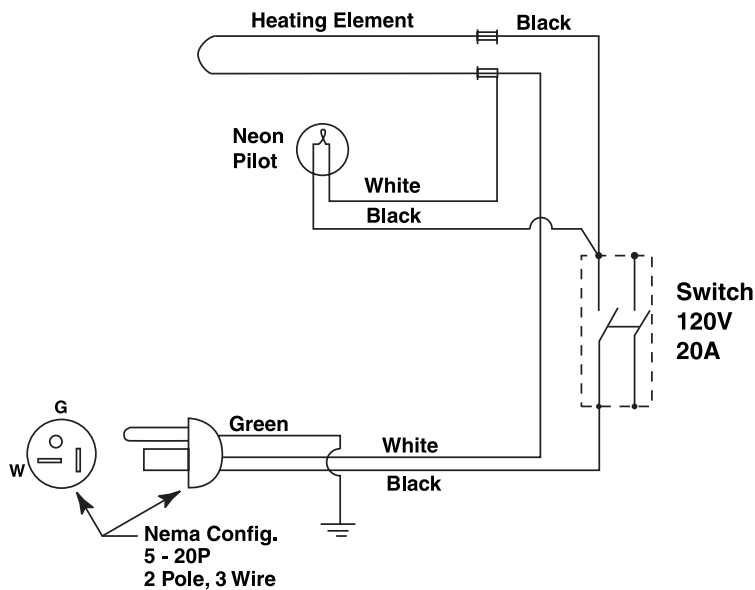


Wiring Diagram



Repair Parts List

BHB-540A

Item No.	Model No.	Description	Number Required
1	BHE540	Heat Element Assembly (Includes the following) Heat element Mounting screw Hex nut Washer	1 1 1 1 1
2	BHB541	Element Bracket Assembly (Includes the following) Bracket set Mounting screw Mounting screw Lock washer Hex nut	1 2 4 2 2 2
3	BHB546	Axle, Wheel	1
4	BHB547	Wheel Assembly (Includes the following) Wheel, Plastic .50 ID x 4.50 Push nut	1 2 2
5	BHB542	Power Cord Assembly, 60 in.	1
6	BHB543	Switch, On-Off 20 amp	1
7	BHB544	Guard, Switch	1
8	BHB545	Light, Pilot	1
9	BHB56K	Conveyor Wheel Assembly (Includes the following) Wheel, Conveyor Hex nut Lock washer Pan Hd. Screw 1/4 - 20 x 1 1/4" Lg.	1 2 2 2 2
10	BHB58K	Handle Assembly (Includes the following) Handle, Cover Lock washer Hex nut	1 1 1 1
11	BHB550	Reflector, Inner	1

REPAIR AND SERVICE INSTRUCTIONS: For repair service and parts contact your nearest GB ELECTRICAL Service Center. The GB ELECTRICAL Service Center will provide complete and prompt service on all GB ELECTRICAL products.

PARTS AND SERVICE: For quality workmanship and genuine GB ELECTRICAL parts, select an Authorized GB Service Center for your repair needs. Only repairs performed by an Authorized Service Center displaying the official GB Authorized sign are backed with full factory warranty. Contact GB Electrical (414)352-4160 for the name of the nearest GB Authorized Service Center.

WARRANTY: GB ELECTRICAL, INC. warrants its product against defects in workmanship and materials for 1 year from date of delivery to user. Chain is not warranted. Warranty does not cover ordinary wear and tear, abuse, misuse, overloading, altered products or use of improper fluid.

WARRANTY RETURN PROCEDURE: When question of warranty claim arises, send the unit to the nearest GB Authorized Service Center for inspection, transportation prepaid. Furnish evidence of purchase date. If the claim comes under the terms of our warranty the Authorized Service Center will REPAIR OR REPLACE PARTS AFFECTED and return the unit prepaid.



A unit of **apw** Tools and Supplies

6101 N. Baker Road, Milwaukee, WI 53209 • Phone: (414) 352-4160 • FAX (414) 352-2377

ZRPS-0101 2/99