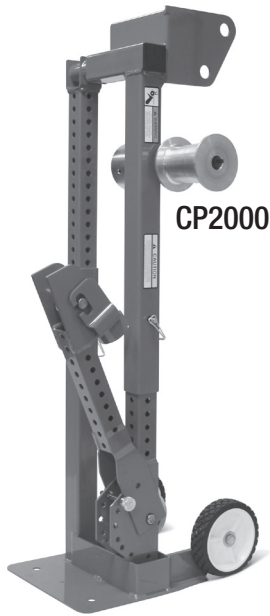




Mini Brutus™ Cable Puller

CP2000M



CAUTION

Read & understand this instruction book completely before operating product. Failure to understand safe operation of this tool can cause injury.

REPAIR PARTS SHEET

GARDNER BENDER is not RESPONSIBLE FOR DAMAGE OR INJURY CAUSED BY UNSAFE USE, MAINTENANCE OR THE APPLICATION OF ITS PRODUCTS. Please contact Gardner Bender for guidance when you are in doubt as to the proper safety precautions to be taken in designing and setting up your particular application.

www.gardnerbender.com

PO Box 3241 Milwaukee, WI 53201-3241 | 414.352.4160 | fax 414.352.2377
6615 Ordan Drive | Mississauga, Ontario L5t 1x2 | 905.564.5749 | fax 905.564.0305

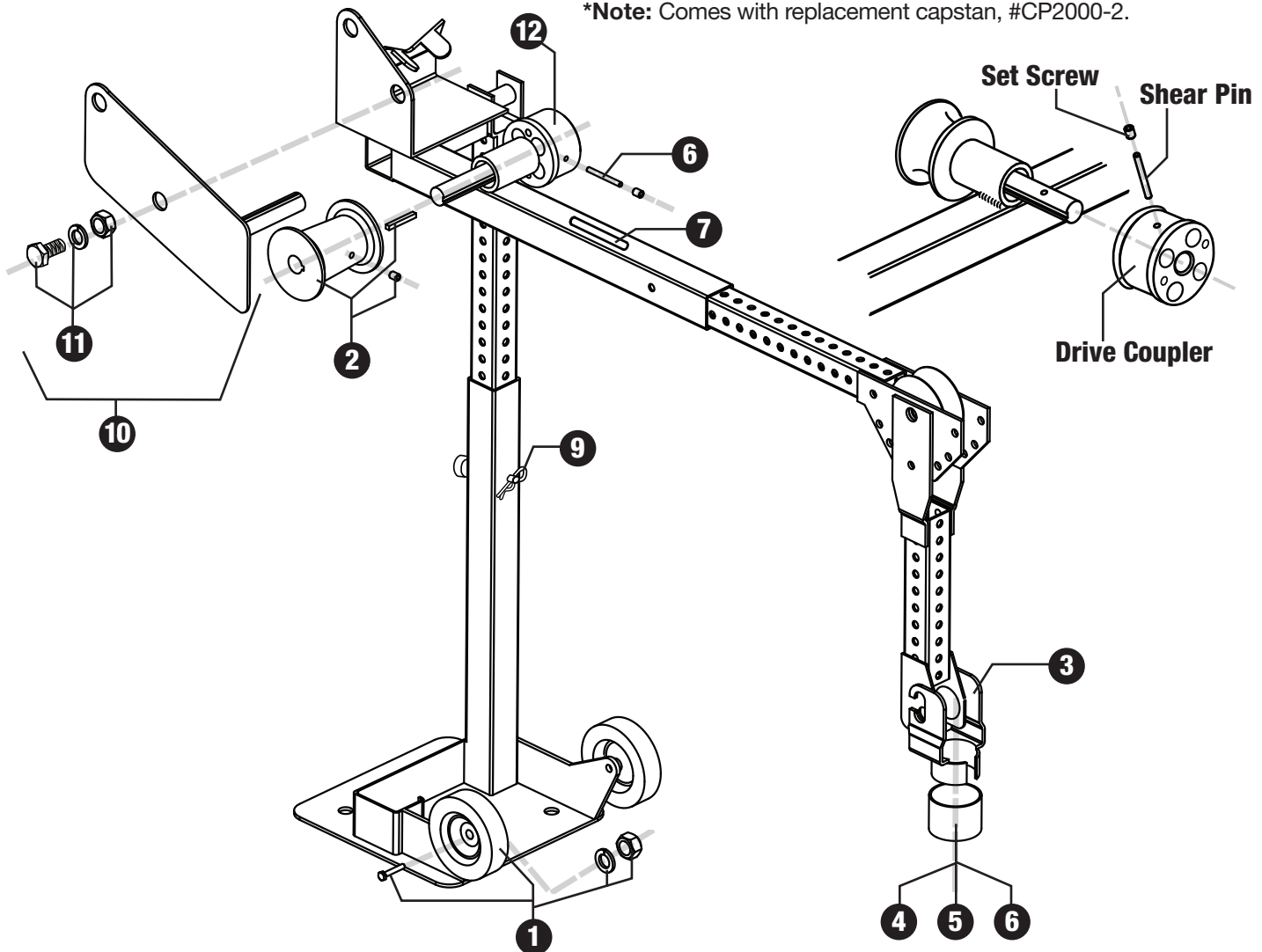
RPS-0154 | March 2007

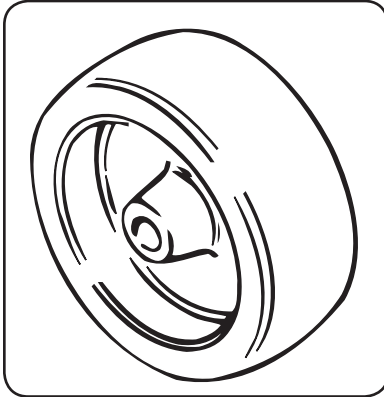
All-In-One Versatility and Power

The new Mini Brutus™, model CP2000M, is a medium-duty, 2000 pound cable pulling system with built-in power drive unit. The self-contained, compact design sets up in minutes and is the perfect system for pulls in small closets or tight locations. The adjustable arm increases versatility and allows cable pulls from any direction. The collapsible frame and 5½" wheels makes this product easily portable.

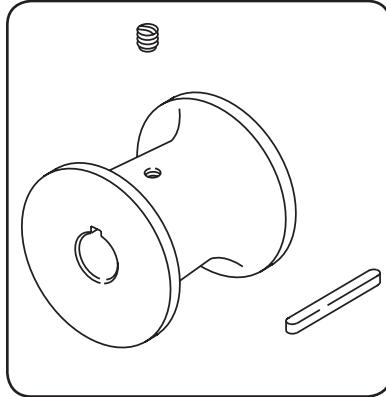
Item #	Part#	Description
1	CP2000-1	Wheel Kit
2	CP2000-2	Capstan - *Key - Idler Shaft, *Set Screw 5/16 - 18 x 3/8
3	CP2000-3	Conduit Adapter Arm
4	CP2000-4	1½" Conduit Coupling
5	CP2000-5	2 Conduit Coupling
6	CP2000-6	Shear Pin, ¼"
7	CP2000-7	Warning Label Kit
8	CP2000-8	Frame Adjustment Pin
9	CP2000-9	Switch Clamp Assembly
10	PT2000TRB	Torque Reaction Bracket Kit
11	PT2000BK	Torque Reaction Bracket Bolt Kit
12	PT2000HC	Hex Coupling

*Note: Comes with replacement capstan, #CP2000-2.

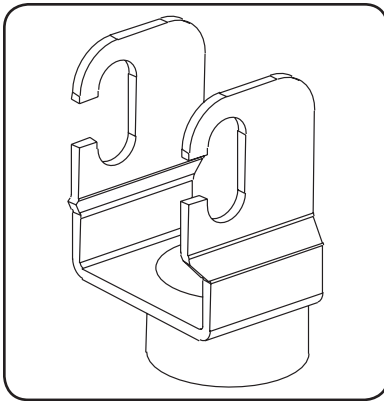




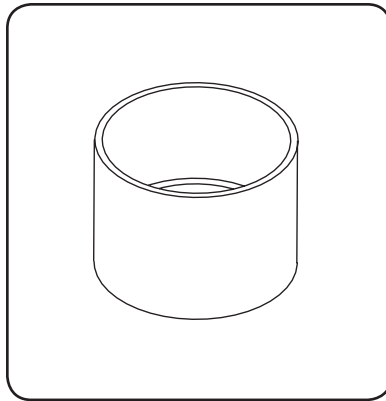
CP2000-1 Wheel Kit



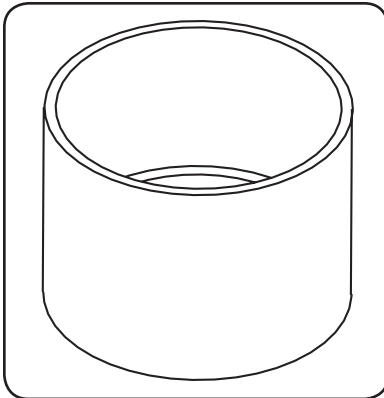
CP2000-2 Capstan



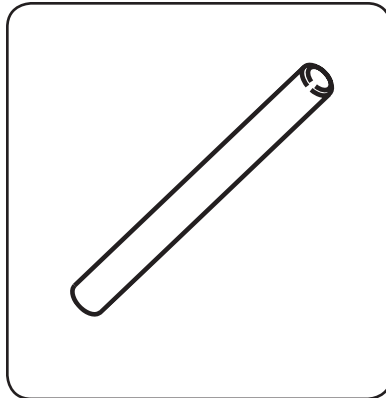
CP2000-3 Conduit Adapter Arm



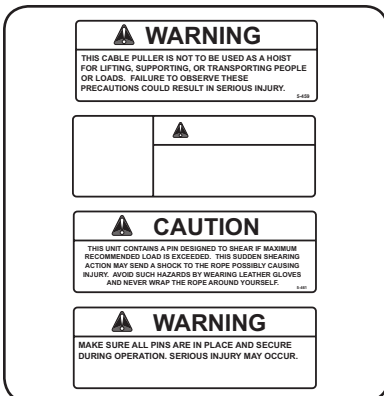
CP2000-4 1½" Conduit Coupling



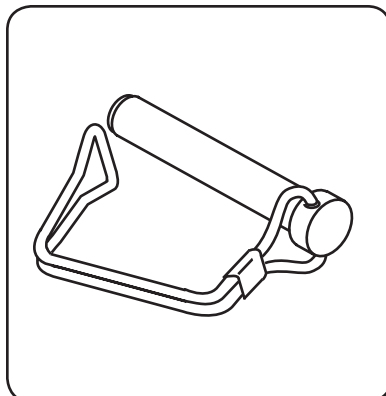
CP2000-5 2 Conduit Coupling



CP2000-6 Shear Pin, ¼"



CP2000-7 Warning Label Kit



CP2000-8 Frame Adjustment Pin

1. Remove the power drive from the CP2000 arm:
 - Unthread the side handle from the power drive.
 - Rotate the power drive up and slide it off the drive coupler.
 2. Remove the drive coupler from the puller arm.
 3. Remove the two (2) set screws from the drive coupler.
 4. Insert a small size punch into the setscrew hole and push the shear pin completely out. Be careful. Do not damage the internal threads.
- NOTE: Use a wheel puller to remove the drive coupler from the shaft, if it needs replacement. Use only mild steel .25 dia. 2½" long as shear pin replacement. Use the punch to install a new shear pin and reassemble the unit.

Monthly:

- Apply EP 80/90 gear lube to the arm pivot thru the hole in the shaft.
- Apply EP 80/90 gear lube to the puller sheave thru the hole in the sheave.
- Apply high temperature bearing grease to the grease fitting in the end of the capstan.
- Use a dry silicone spray as needed to lubricate the arm extension and leg extension. This will also protect against rust.

NOTE: Lubricate the power drive as per specifications of drive manufacturer.

REPAIR AND SERVICE INSTRUCTIONS: For repair service and parts contact your nearest Gardner Bender Service Center.
The Gardner Bender Service Center will provide complete and prompt service on all Gardner Bender products.

PARTS AND SERVICE: For quality workmanship and genuine Gardner Bender parts, select an Authorized GB Service Center for your repair needs. Only repairs performed by an Authorized Service Center displaying the official GB Authorized sign are backed with full factory warranty. Contact Gardner Bender (414)352-4160 for the name of the nearest GB Authorized Service Center.

WARRANTY: Gardner Bender warrants its product against defects in workmanship and materials for 1 year from date of delivery to user. Warranty does not cover ordinary wear and tear, abuse, misuse, overloading, altered products or use of improper fluid.

WARRANTY RETURN PROCEDURE: When question of warranty claim arises, send the unit to the nearest GB Authorized Service Center for inspection, transportation prepaid. Furnish evidence of purchase date. If the claim comes under the terms of our warranty the Authorized Service Center will REPAIR OR REPLACE PARTS AFFECTED and return the unit prepaid.

IMPORTANT: RECEIVING INSTRUCTIONS

Visually inspect all components for shipping damage. If you find damage, notify the carrier at once. Shipping damage is NOT covered by warranty. The carrier is responsible for all repair or replacement costs resulting from damage in shipment.

www.gardnerbender.com

PO Box 3241 Milwaukee, WI 53201-3241 | 414.352.4160 | fax 414.352.2377
6615 Ordan Drive | Mississauga, Ontario L5t 1x2 | 905.564.5749 | fax 905.564.0305

RPS-0154 | March 2007