

GB recommends that all kit components be installed to insure optimum performance of the repaired product.

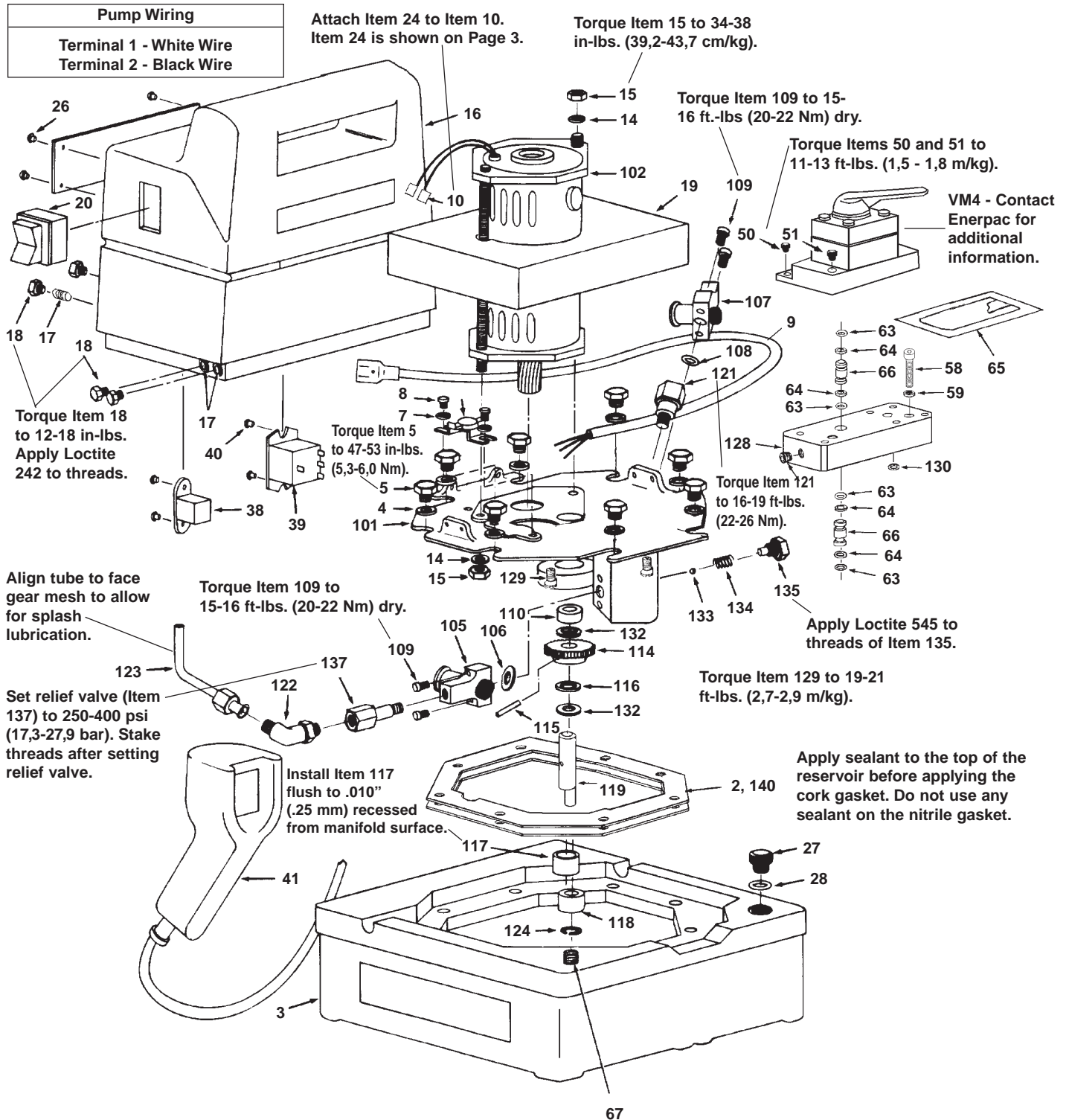


Figure 1, Exploded View

Repair Parts List for Figure 1

Item	Part Number	Qty.	Description	Item	Part Number	Qty.	Description
2	★ DA12088167SR	1	Gasket (Includes 140)	58	B1019028	2	Screw
3	DA1910900SR	1	Reservoir Assembly (For 1400 Versions)	59	★ S3037	2	Gasket
4	DA6954167	8	Gasket	63	B1007503	5	O-ring
5	B2521028	8	Screw	64	★ B1012564	4	Backup
6	E1100004	1	Thermostat	65	★ F786167	1	Gasket
7	C701222	2	Washer	66	C162096	2	Connector
8	F658028	2	Screw	67	A1009245	1	Plug
9	DA3709900SR	1	Power Cord (For "B" Versions)	101	DA12487840SR	1	Pump Manifold (includes Items 121 and 135)
10	DA3776006	2	Pin	102	CW179259	1	Motor (For "B" versions)
11	DA11539380	1	Receptacle	105	CW298950SR	1	.53 Piston Block
14	DA15066	3	Lockwasher	107	CW299950SR	1	.24 Piston Block
15	B1018121	3	Hex Nut	108	★ B1012803	1	O-ring
16	Contact Enerpac		Shroud Assembly	109	B1008028	4	Screw
17	CW261225	6	Eyelet	110	CW252107	1	Bearing
18	F866028	6	Screw	114	★ CW301228	1	Driven Gear
19	CW259298	1	Baffle	115	B1097057	1	Spring Pin
20	E1500002	1	Switch	116	CW199107	1	Bearing
21	DA3712900	2	Wire Assembly	117	CW251107	1	Bearing
22	DA3730900SR	1	Wire Assembly	118	CW302107	1	Bearing
23	DA3711900SR	1	Wire Assembly	119	CW303104	1	Shaft
24	DA11540380	1	Receptacle	121	DA5999900SR	1	Relief Valve
26	CU971003	4	Pop Rivet	122	DA1011096	1	Elbow
27	DA608024	1	Vent Plug	123	DA261268	1	Tube
28	★ B1906503	1	O-ring	124	CW467044	1	Retaining Ring
38	E300006	1	Transformer (For "B" Versions)	128	CW522038	1	Adaptor Block
39	E1300008	1	Relay	129	DA3012028	3	Screw
40	CW350003	4	Pop Rivet	130	★ B1206517	1	Square Ring
41	CR881900SR	1	Pendant Assembly	131	A1016245	1	Plug
42	DA1973900SR	1	Wire Assembly	132	DA445107	2	Bearing
43	DA3713900SR	1	Wire Assembly	133	★ B1007016	1	.25" Ball
44	DA1975900SR	1	Wire Assembly	134	★ DA1564110	1	Spring
45	DA1976900SR	1	Wire Assembly	135	DC433950	1	Plug
50	B1349028	3	Screw	137	DA610900SR	1	Relief Valve
51	B1357028	2	Screw	140	A1016245	1	Gasket

★ Indicates items included in and available only as part of Repair Kit PUJ1400BK.

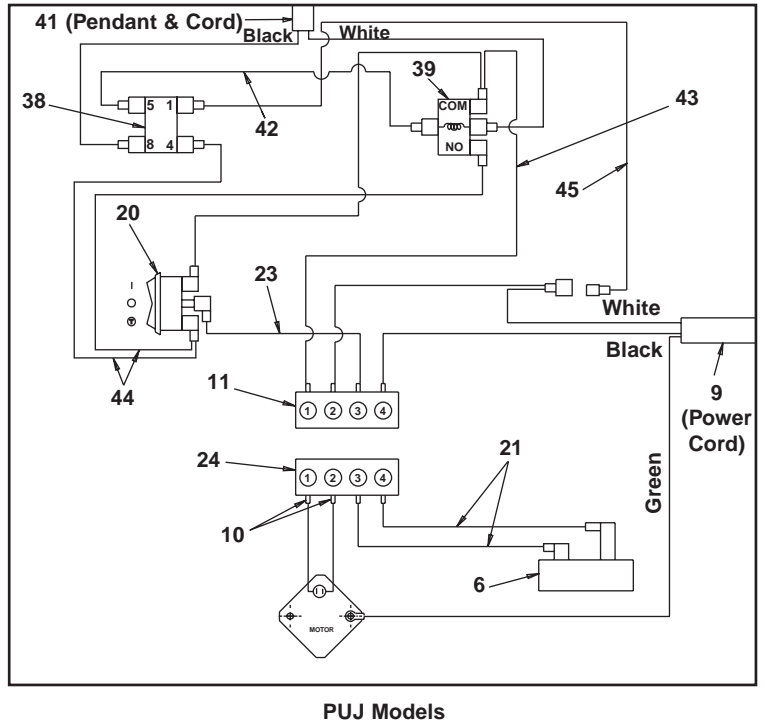
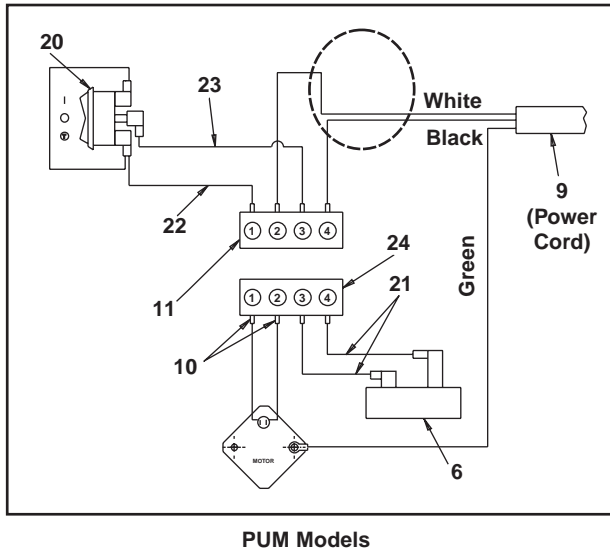


Figure 2, Wiring Diagrams

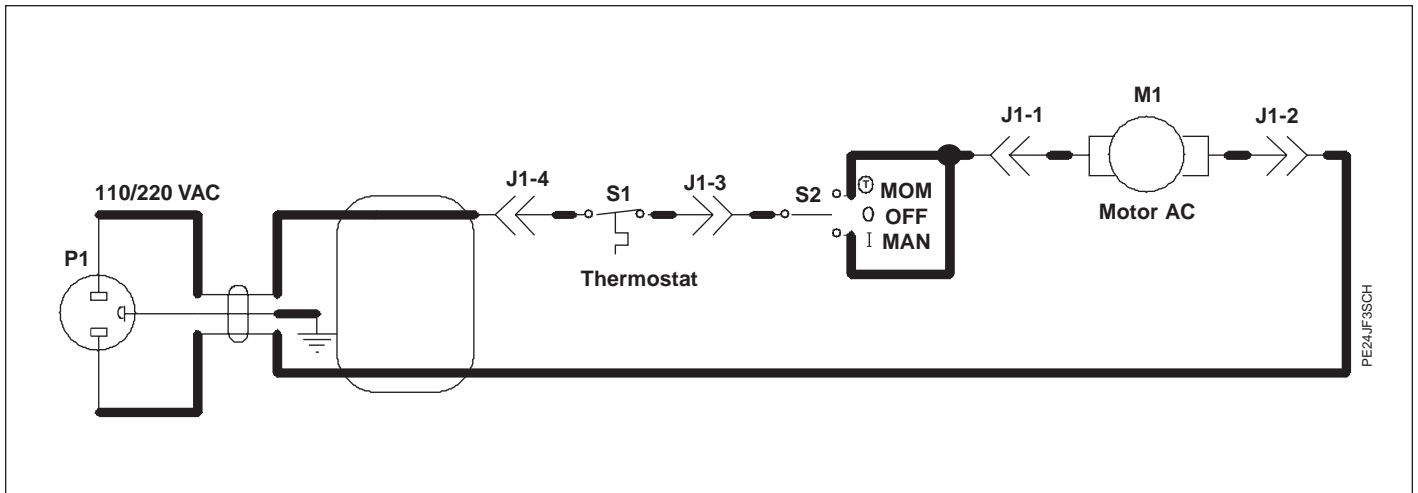


Figure 3, Electrical Schematic for PUM Models

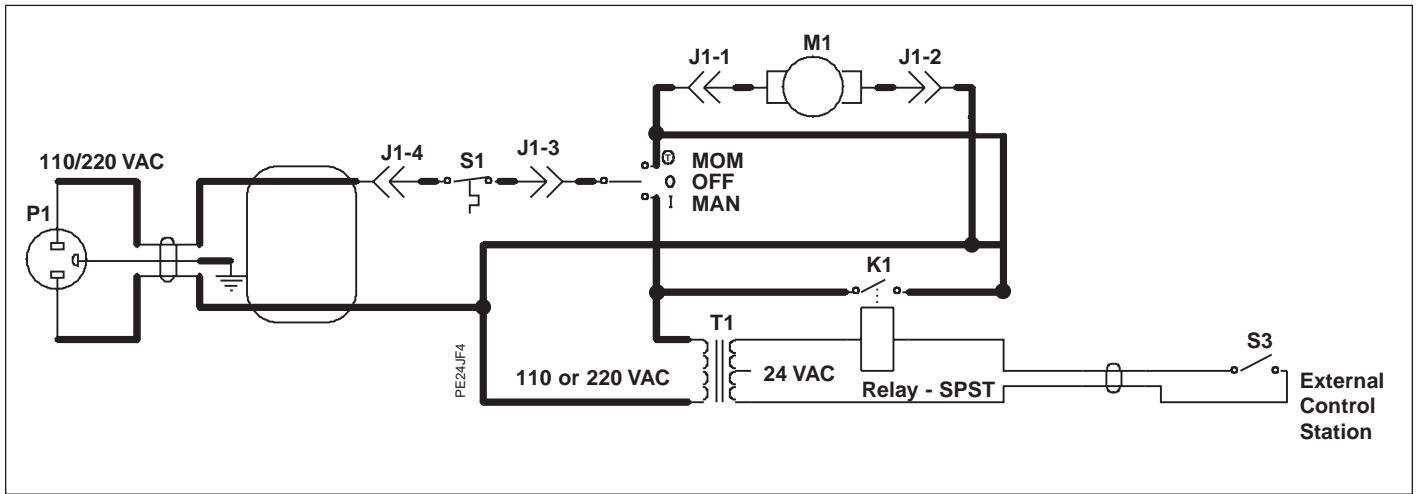


Figure 4, Electrical Schematic for PUJ Models

Replacement Brushes for Electric Motors		
Part Number	Quantity	Description
DA9655380	1 Set	Brush Set for 115 Volt Models
DA9656380	1 Set	Brush Kit for 230 Volt Motor
DA9657020	1 Set	Brush Cap

REPAIR AND SERVICE INSTRUCTIONS: For repair service and parts contact your nearest GB ELECTRICAL Service Center. The GB ELECTRICAL Service Center will provide complete and prompt service on all GB ELECTRICAL products.

PARTS AND SERVICE: For quality workmanship and genuine GB ELECTRICAL parts, select an Authorized GB Service Center for your repair needs. Only repairs performed by an Authorized Service Center displaying the official GB Authorized sign are backed with full factory warranty. Contact GB Electrical (414) 352-4160 for the name of the nearest GB Authorized Service Center.

WARRANTY: Gardner Bender warrants its product against defects in workmanship and materials for 1 year from date of delivery to user. Chain is not warranted. Warranty does not cover ordinary wear and tear, abuse, misuse, overloading, altered products or use of improper fluid.

WARRANTY RETURN PROCEDURE: When question of warranty claim arises the user should send the unit to the nearest GB Authorized Service Center for inspection, transportation to be prepaid and evidence of purchase date furnished. If the claim comes under the terms of our warranty the Authorized Service Center will REPAIR OR REPLACE PARTS AFFECTED and return prepaid.



6101 North Baker Road, Milwaukee, WI 53209
Phone: (414) 352-4160 • Fax: (414) 352-2377

RPS-0142 9/00