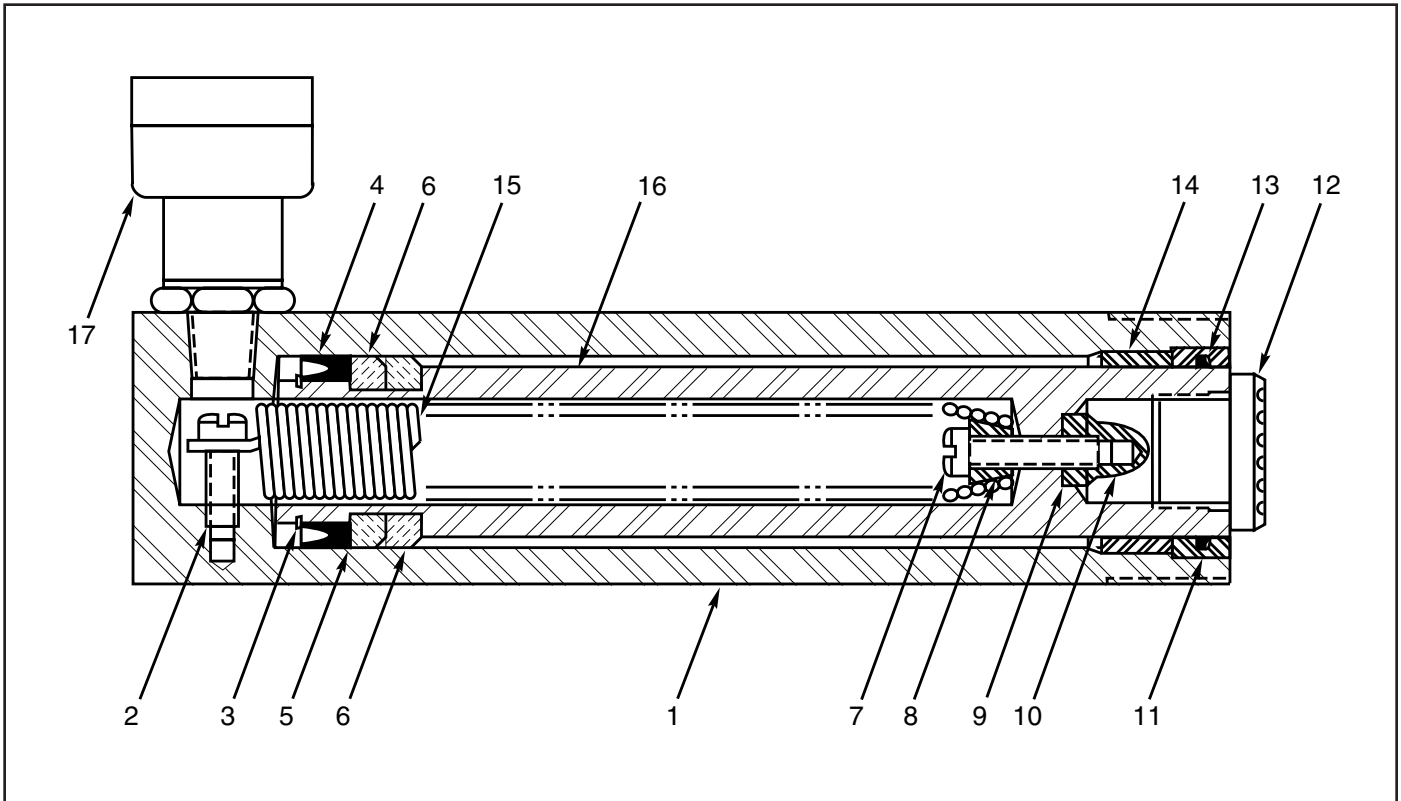


GB recommends all kit components be installed to insure optimum performance of the repaired cylinder



Note: Rod bearings (item #6) to be assembled with splits staggered 90° apart.

Specifications

Description	CS1010
Rated Capacity	10 Ton
Plunger Stroke	10 ¹ / ₄ "
Hydraulic Pressure	10,000 PSI

To protect your warranty, use only Enerpac hydraulic oil.

Repair Parts List

Item Number	Part Number CS1010	Qty	Description
1	NOTE: Cylinder base is not available as a service item. Order complete cylinder.		
2	★	1	Screw 1/4 - 28 UNF X 1"
3	★	1	Retaining Ring
4	★	1	U-cup
5	★	1	Washer
6	G382107	2	Rod Bearing
7	(See Note A)	1	Screw
8	F948209	1	Bushing
9	★	1	Gasket
10	G833055	1	Acorn Nut
11	G385044	1	Bearing Stop Ring
12	A102G	1	Saddle Assembly
13	★	1	Wiper
14	G831446	1	Bearing Sleeve
15	F938110SR	1	Spring (Incl. item #7,8,9,10)
16	G830040	1	Plunger
17	CR-400	1	Half Coupler
-	CD-411	1	Dust Cap (Not Shown)
-	R28271	1	Thread Protector (Not Shown)

★ Included in and available only as part of Repair Kit RC102K.

REPAIR AND SERVICE INSTRUCTIONS: For repair service and parts contact your nearest GB ELECTRICAL Service Center. The Service Center will provide complete and prompt service on all GB ELECTRICAL products.

<p>PARTS AND SERVICE: For quality workmanship and genuine GB ELECTRICAL parts, select an Authorized GB Service Center for your repair needs. Only repairs performed by an Authorized Service Center displaying the official GB Authorized sign are backed with full factory warranty. Contact GB Electrical (414) 352-4160 for the name of the nearest GB Authorized Service Center.</p>	<p>WARRANTY: GB ELECTRICAL, INC. warrants its products against defects in workmanship and materials for 1 year from date of delivery to user. Chain is not warranted. Warranty does not cover ordinary wear and tear, abuse, misuse, overloading, altered products or use of improper fluid.</p>	<p>WARRANTY RETURN PROCEDURE: When question of warranty claim arises, send the unit to the nearest GB Authorized Service Center for inspection, transportation prepaid. Furnish evidence of purchase date. If the claim comes under the terms of our warranty the Authorized Service Center will REPAIR OR REPLACE PARTS AFFECTED and return the unit prepaid.</p>
---	---	---



GB Electrical, Inc.
An Applied Power Company

6101 N. Baker Road, Milwaukee, WI 53209
Phone: (414) 352-4160 FAX (414) 352-2377

RPS-0125 Rev. A 03/07