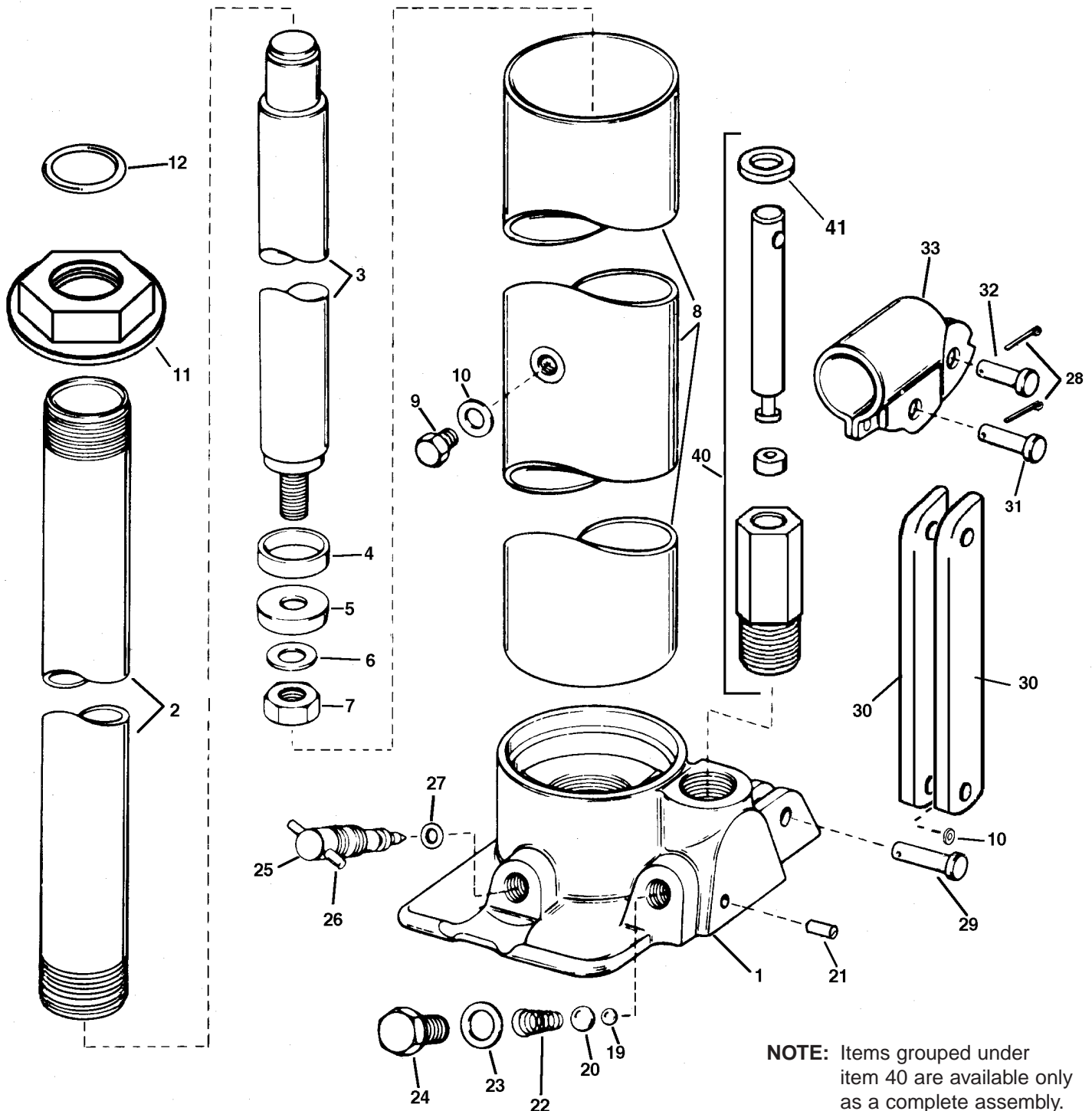




Repair Parts Sheet

JHL-1.5 Hydraulic Jack

For date codes beginning with the letter "O"



To protect your warranty, use only GB hydraulic oil.

PARTS LIST

Item No.	Part No.	Qty.	Description	Item No.	Part No.	Qty.	Description
1	AJ100304	1	Base	23	• B159167	1	Gasket
2	AJ100074	1	Cylinder	24	AJ100061	1	Fill Plug
3	AJ100078	1	Plunger	25	MAJ100424	1	Release Valve
4	AJ100050	1	Plunger Ring	26	R2861	1	Pin
5	• AJ100437	1	Cup	27	• B1003503	1	O-Ring
6	AJ100023	1	Spreader Washer	28	• B1001058	2	Cotter Pin
7	B1006123	1	Nut	29	K494061	1	Pin
8	K996025	1	Reservoir	30	DA547062	2	Link
9	B1036046	1	Plug	31	AJ100062	1	Beam Pin
10	• AJ100020	2	Gasket	32	AJ100063	1	Cleavis Pin
11	K515020	1	Top Cap	33	AJ100064	1	Beam
12	• B1017503	1	O-Ring	37	CM917026	1	Decal (not shown)
19	• B1006016	1	7/32" Ball	40	K584900	1	Pump Unit
20	• B1009016	1	5/16" Ball	41	• B1317562	1	Backup Washer
21	AJ100003	1	Plug	43	AJ100073	1	Handle (not shown)
22	• AJ100040	1	Valve Spring				

• Included in and available only as part of Repair Kit JH-15K.

REPAIR AND SERVICE INSTRUCTIONS: For repair service and parts contact your nearest **GB ELECTRICAL Service Center**. The **GB ELECTRICAL Service Center** will provide complete and prompt service on all **GB ELECTRICAL** products.

PARTS AND SERVICE: For quality workmanship and genuine GB ELECTRICAL parts, select an Authorized GB Service Center for your repair needs. Only repairs performed by an Authorized Service Center displaying the official GB Authorized sign are backed with full factory warranty. Contact GB Electrical (414) 352-4160 for the name of the nearest GB Authorized Service Center.

WARRANTY: GB ELECTRICAL, INC. warrants its product against defects in workmanship and materials for 1 year from date of delivery to user. Chain is not warranted. Warranty does not cover ordinary wear and tear, abuse, misuse, overloading, altered products or use of improper fluid.

WARRANTY RETURN PROCEDURE: When question of warranty claim arises, send the unit to the nearest GB Authorized Service Center for inspection, transportation prepaid. Furnish evidence of purchase date. If the claim comes under the terms of our warranty the Authorized Service Center will **REPAIR OR REPLACE PARTS AFFECTED** and return the unit prepaid.



GB Electrical, Inc.
An Applied Power Company

6101 N. Baker Road, Milwaukee, WI 53209
Phone: (414) 352-4160 FAX (414) 352-2377

RPS-0118 11/96