

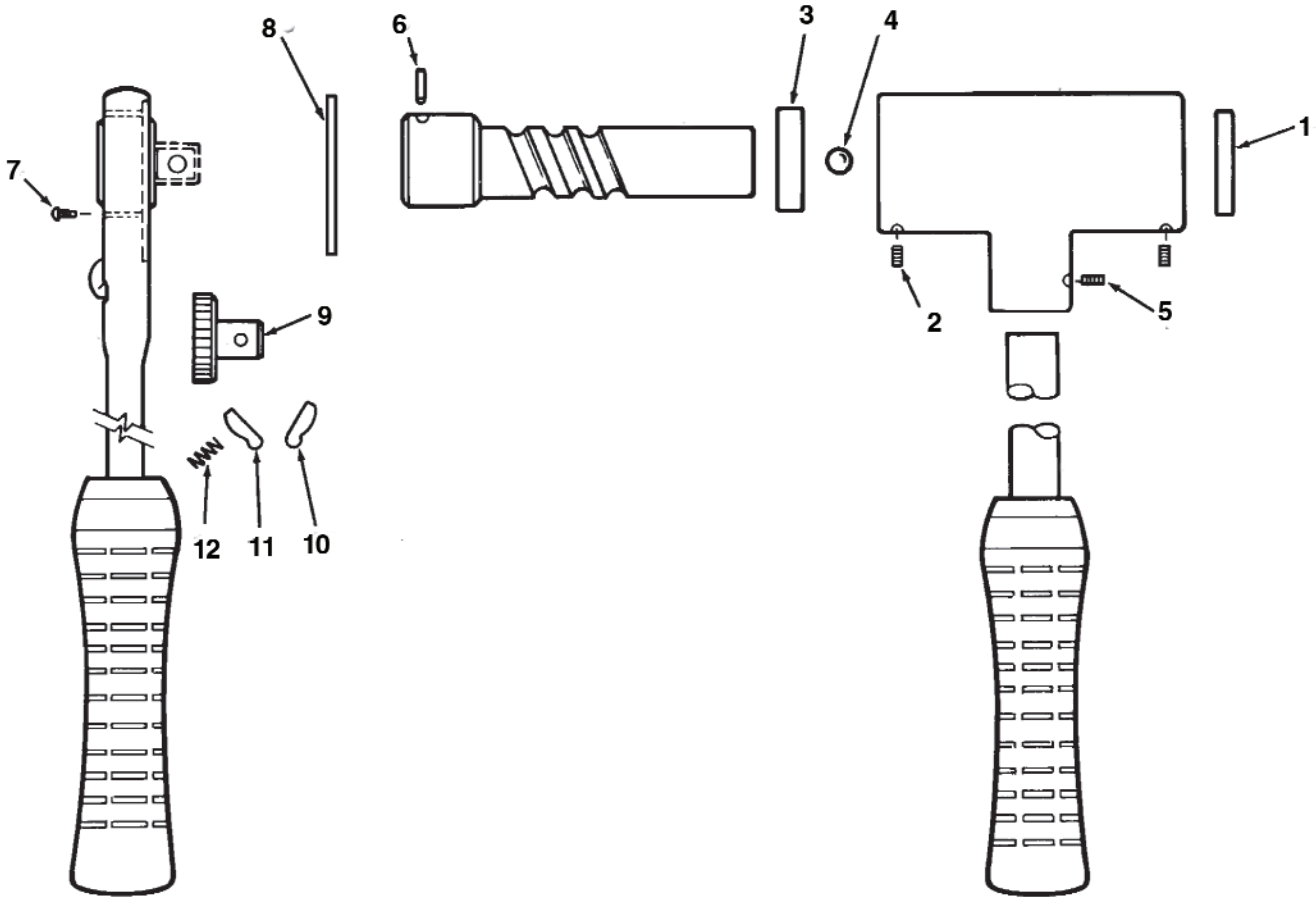
KOR14 Set



KOR520 Set



- | | | | | | |
|--------|--------|---------|---------|---------|---------|
| KP500B | KP750B | KP1000B | KP1250B | KP1500B | KP2000B |
| KD500B | KD750B | KD1000B | KD1250B | KD1500B | KD2000B |



Ratchet and Driver Assembly

**Parts List
KOR14 & KOR520**

Item Number	Part Number	Description	Qty.
1	–	Washer, Thrust	1
2	–	Setscrew	6
3	–	Retainer	1
4	–	Ball, Steel	19
5	–	Setscrew	1
6	–	Pin, Spring	1
Repair kit includes items 7 through 12			
7	–	Screw	2
8	–	Cover	1
9	–	Wheel	1
10	–	Dog, Right Hand	1
11	–	Dog, Left Hand	1
12	–	Spring	1

KOR14	KOR520		
Includes Adapter Screws	Punches	Includes Dies	Adapter Screws
KOR50 for 1/2"	KP500B 1/2"	KD500B	KOR50
KOR75125 for 3/4", 1", 1 1/4"	KP750B 3/4"	KD750B	KOR75125
KOR152 for 1 1/2", 2"	KP1000B 1"	KD1000B	
	KP1250B 1 1/4"	KD1250B	
	KP1500B 1 1/2"	KD1500B	KOR152
	KP2000B 2"	KD2000B	

KNOCKOUT ASSORTMENT KITS

Knockout Punch Assortment Kit - 2½" to 4"

Upgrade your existing ½" to 2" set with this 2½" to 4" knockout punch assortment kit. Packed in a metal storage case.

KOH2540

Model No.	Description	Quantity in Set
KP2500B	Punch 2½"	1
KD2500B	Die 2½"	1
KP3000	Punch 3"	1
KD3000	Die 3"	1
KP3500	Punch 3½"	1
KD3500	Die 3½"	1
KP4000	Punch 4"	1
KD4000	Die 4"	1

Super Slug-Out™ Knockouts For Stainless Steel

- Exclusive three-knife design splits the slug into three pieces, allowing easy removal from the die.
- High alloy construction offers 10 to 20 times the life of standard knockouts.
- Recommended only to be used with hydraulic drivers.
- Can be used with the following Gardner Bender Kits:
 - KOH14A - KOF540 - KOH520A
 - KOS5290 - KOF520 - KOS520
 - KOH540A

Part #	Description	Hole Size		Capacity		Weight
		Inch	mm	GA	mm	
KPS500	½" Punch	0.88	22.5	10	3	0.7 lb
KDS500	½" Die	0.88	22.5	10	3	0.6 lb
KPS750	¾" Punch	1.12	28.3	10	3	0.8 lb
KDS750	¾" Die	1.12	28.3	10	3	0.8 lb
KPS1000	1" Punch	1.36	34.6	10	3	1.5 lbs
KDS1000	1" Die	1.36	34.6	10	3	1.4 lbs
KPS1250	1¼" Punch	1.70	43.2	10	3	2.5 lbs
KDS1250	1¼" Die	1.70	43.2	10	3	2 lbs
KPS1500	1½" Punch	1.95	49.6	10	3	3.3 lbs
KDS1500	1½" Die	1.95	49.6	10	3	2.7 lbs
KPS2000	2" Punch	2.42	61.5	10	3	5.4 lbs
KDS2000	2" Die	2.42	61.5	10	3	4.6 lbs

REPAIR AND SERVICE INSTRUCTIONS: For repair service and parts contact your nearest GARDNER BENDER Service Center. The Service Center will provide complete and prompt service on all GARDNER BENDER products.

<p>PARTS AND SERVICE: For quality workmanship and genuine GARDNER BENDER parts, select an Authorized GB Service Center for your repair needs. Only repairs performed by an Authorized Service Center displaying the official GB Authorized sign are backed with full factory warranty. Contact GARDNER BENDER (414) 352-4160 for the name of the nearest GB Authorized Service Center.</p>	<p>WARRANTY: GARDNER BENDER warrants its products against defects in workmanship and materials for 1 year from date of delivery to user. Chain is not warranted. Warranty does not cover ordinary wear and tear, abuse, misuse, overloading, altered products or use of improper fluid.</p>	<p>WARRANTY RETURN PROCEDURE: When question of warranty claim arises, send the unit to the nearest GB Authorized Service Center for inspection, transportation prepaid. Furnish evidence of purchase date. If the claim comes under the terms of our warranty the Authorized Service Center will REPAIR OR REPLACE PARTS AFFECTED and return the unit prepaid.</p>
---	--	---

