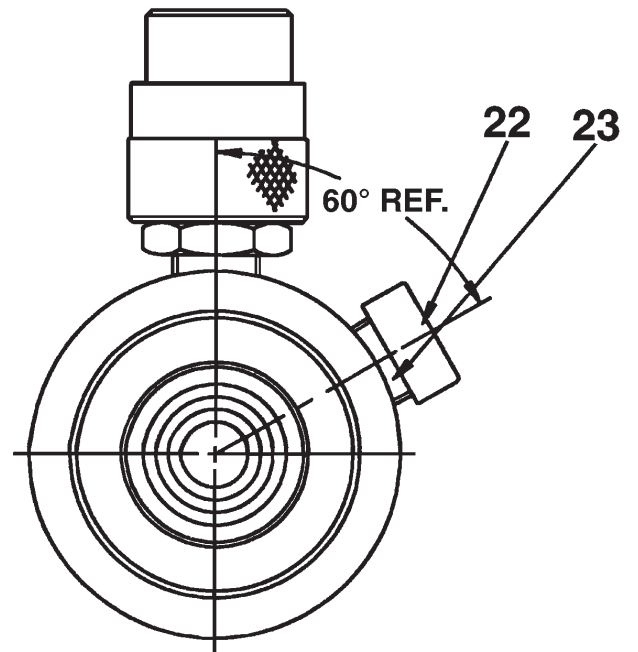
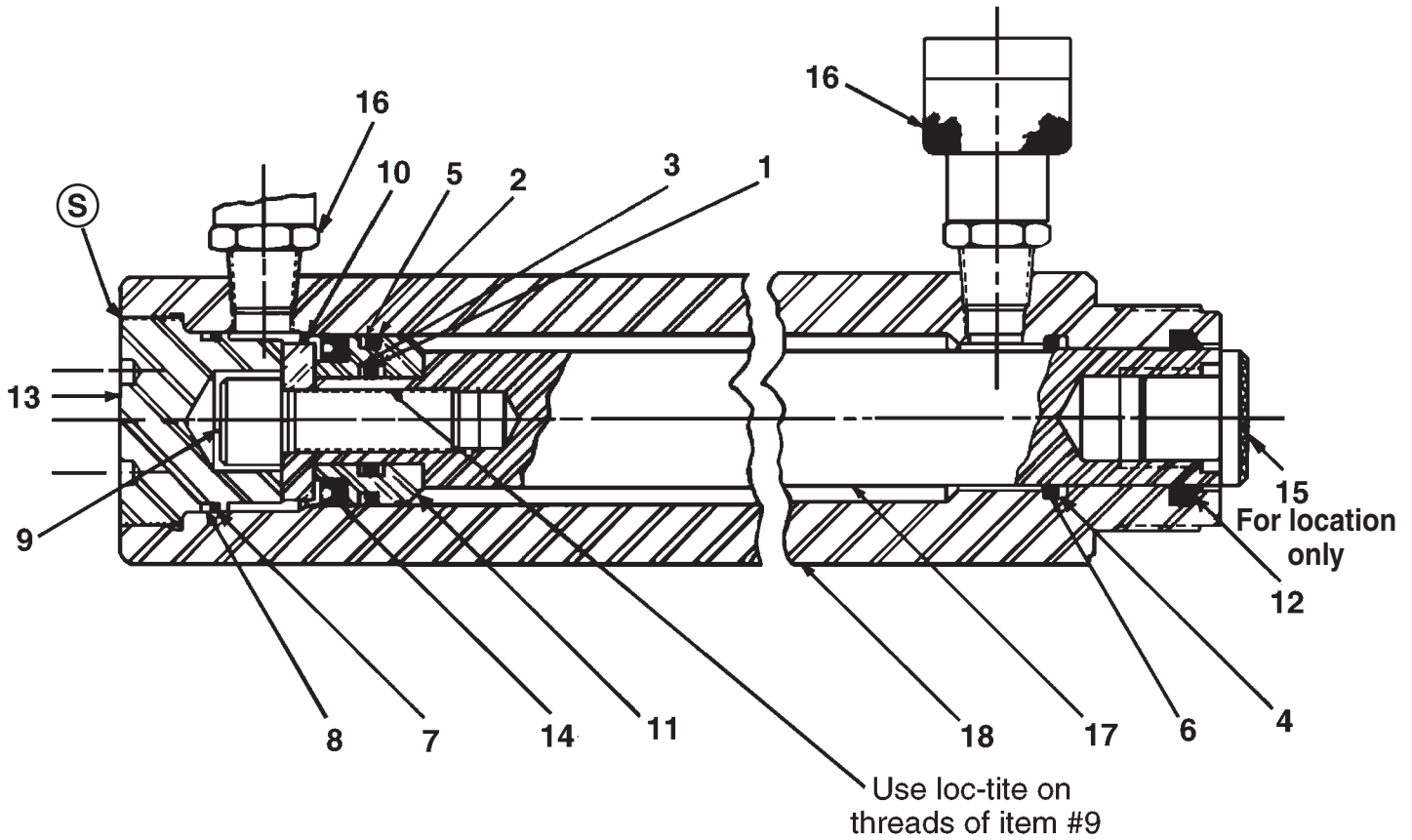


(For serial number beginning with "B")



Relief Valve Setting  
11,000 - 11,750 PSI

**CAUTION:**

Ⓢ indicates staked threads. Drill out stake mark prior to removal of this part. Failure to remove staked threads may result in damage to the part. Restake after testing repaired cylinder.

## Parts List

Item Number	Part Number	Number Required	Description
1	* B1017503	1	O-ring
2	* B1026503	1	O-ring
3	* B1036562	2	Back-up Ring
4	* B1044562	1	Back-up Ring
5	* B1045562	1	Back-up Ring
6	* B1220903	1	O-ring
7	* B1264503	1	O-ring
8	* B1362562	1	Back-up Ring
9	B1410028	1	Capscrew
10	C802049	1	Washer
11	C821051	1	Piston
12	* C878044	1	Wiper
13	C965570	1	Lockscrew
14	* K12041	1	U-cup
15	A12	1	Smooth Adaptor Saddle
16	CR400	2	Half Coupler
17	C823040	1	Plunger
18	DA6946030	1	Cylinder
19	CD411	2	Dust Cap (not shown)
20	R28271	1	Thread Protector (not shown)
21	CD411	2	Dust Cap (not shown)
22	DA6960900	1	Relief Valve
23	DA6914020	1	Cap for Relief Valve

\* Available only in Repair Kit RR-1012K.

---

**REPAIR AND SERVICE INSTRUCTIONS:** For repair service and parts contact your nearest GB ELECTRICAL Service Center. The Service Center will provide complete and prompt service on all GB ELECTRICAL products.

**PARTS AND SERVICE:** For quality workmanship and genuine GB ELECTRICAL parts, select an Authorized GB Service Center for your repair needs. Only repairs performed by an Authorized Service Center displaying the official GB Authorized sign are backed with full factory warranty. Contact GB Electrical (414) 352-4160 for the name of the nearest GB Authorized Service Center.

**WARRANTY:** GB ELECTRICAL, INC. warrants its products against defects in workmanship and materials for 1 year from date of delivery to user. Chain is not warranted. Warranty does not cover ordinary wear and tear, abuse, misuse, overloading, altered products or use of improper fluid.

**WARRANTY RETURN PROCEDURE:** When question of warranty claim arises, send the unit to the nearest GB Authorized Service Center for inspection, transportation prepaid. Furnish evidence of purchase date. If the claim comes under the terms of our warranty the Authorized Service Center will REPAIR OR REPLACE PARTS AFFECTED and return the unit prepaid.



**GB Electrical, Inc.**  
An Applied Power Company

6101 N. Baker Road, Milwaukee, WI 53209  
Phone: (414) 352-4160 FAX (414) 352-2377

RPS-0077 Rev. A 03/07