


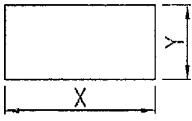
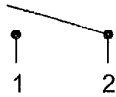
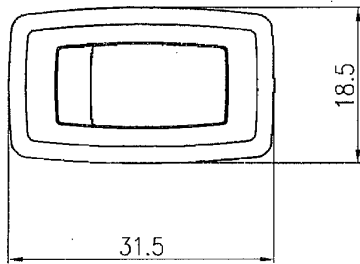


Rating	20A 125VAC 1/3HP 16A 250VAC 1/2HP cRU us 16A125VAC 10A250VAC CQC T85 16(4)A250Va.c  T85 16A125VAC 10A250VAC  T85 10(4)A 250~  25T85	Mounting Hole		Circuit Diagram
	Contact Resistance			
Insulation Resistance	DC 500V 100M ohm Min.			
Dielectric Strength	AC 1500V 1 minute			
Operation Temperature	-25°C ~ 85°C	Thickness	X	Y
Switch Function	2P SPST ON-OFF	0.75...1.25	27.6-0.1	13.8+0.1
		1.25...2	27.8-0.1	13.8+0.1
		2...3	28.0-0.1	13.8+0.1



Material:
Frame: Black, Nylon 66
Actuator: Black, Nylon 66
Printed: None

