

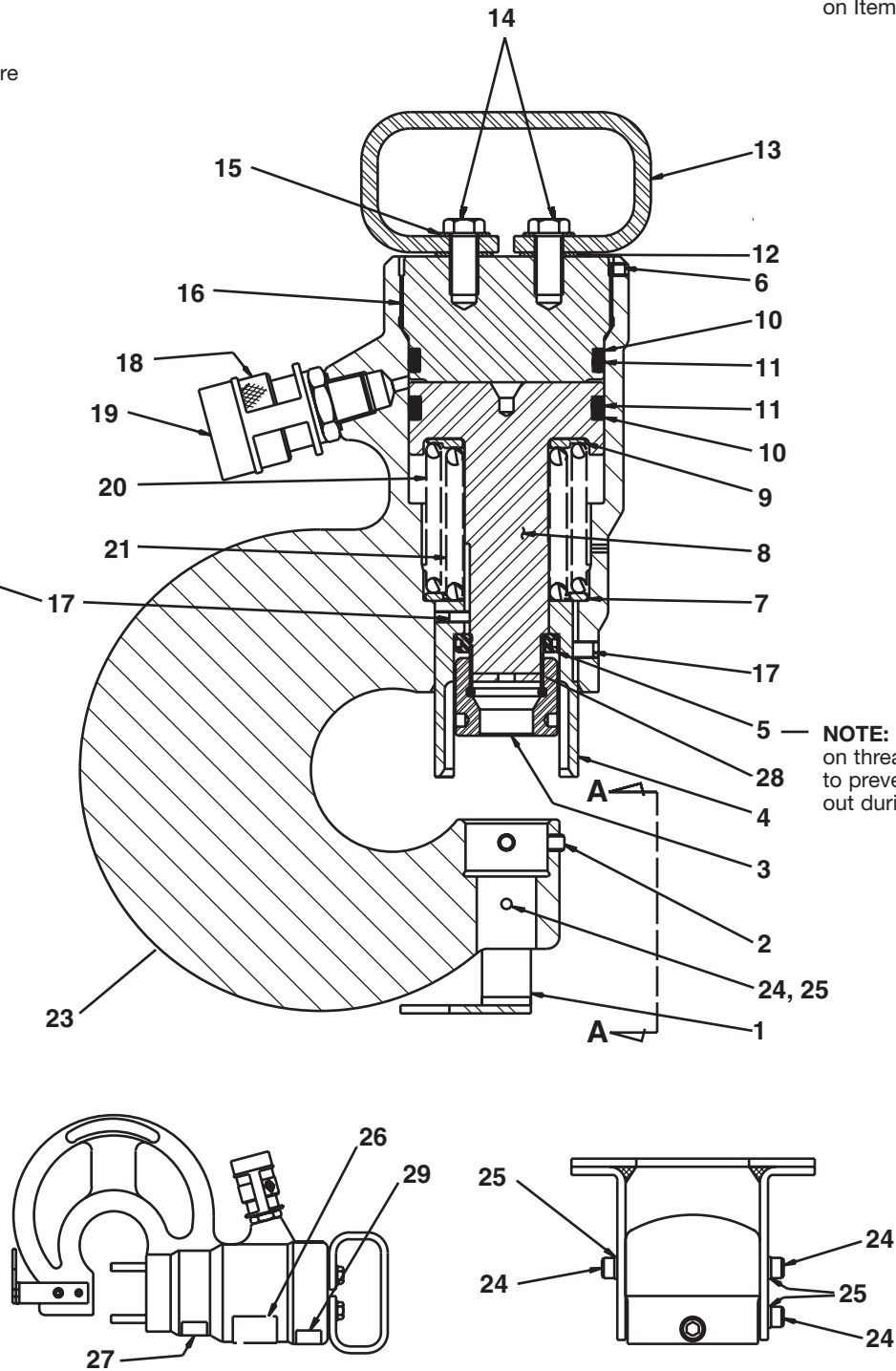
To Protect Your Warranty, Use Only ENERPAC Hydraulic Oil.

NOTE: Use Loctite 242 on Items 6, 14, and 17.

NOTE: Lubricate bore with grease prior to assembly to prevent seals from sticking.

NOTE: Seat Item 17 lightly and then back off slightly to prevent binding (2 places on punch.)

NOTE: Use Loctite 271 on threads of Item 5 to prevent backing out during use.



VIEW "A-A"

Repair Parts List for SPR3500

Item	Part Number	Qty.	Description	Item	Part Number	Qty.	Description
1	DA3147900	1	Bracket Weldment	15	B1003066	2	Lock Washer
2	★ BC3104027F	1	Set Screw	16	DA3136020	1	End Cap
3	DA3141234	1	Coupling Nut	17	★ DA3836027	2	Set Screw
4	DA3140689	1	Guard	18	CR400	1	Coupler
5	DA3142749	1	Lock Ring	19	CD411	1	Dust Cap
6	★ BF1904027B	1	Set Screw	20	DA3145110	1	Comp. Spring
7	DA3139108	1	Washer	21	DA3146110	1	Comp. Spring
8	DA3137040	1	Plunger	23	(not sold as service part)	1	Base
9	DA3138108	1	Washer	24	B1341028	3	Socket Head Screw
10	★ B1334565	1	Back-up Washer	25	B1030066	3	Lock Washer
11	★ B1037503	2	O-ring	26	★ DA3601026	1	Name Plate Decal
12	B1027108	2	Washer	27	★ CU765026	2	Warning Decal
13	DA3135070	1	Handle	28	B1212903	1	O-ring
14	B1073046	2	Hex Head Cap Screw				

★ Indicates items included in Repair Kit SP-35K.

REPAIR AND SERVICE INSTRUCTIONS: For repair service and parts contact your nearest Gardner Bender Service Center. The Gardner Bender Service Center will provide complete and prompt service on all Gardner Bender products.

<p>PARTS AND SERVICE: For quality workmanship and genuine Gardner Bender parts, select an Authorized Gardner Bender Service Center for your repair needs. Only repairs performed by an Authorized Service Center displaying the official Gardner Bender Authorized sign are backed with full factory warranty. Contact Gardner Bender (414)352-4160 for the name of the nearest Gardner Bender Authorized Service Center.</p>	<p>WARRANTY: Gardner Bender warrants its product against defects in workmanship and materials for 1 year from date of delivery to user. Chain is not warranted. Warranty does not cover ordinary wear and tear, abuse, misuse, overloading, altered products or use of improper fluid.</p>	<p>WARRANTY RETURN PROCEDURE: When question of warranty claim arises, send the unit to the nearest Gardner Bender Authorized Service Center for inspection, transportation prepaid. Furnish evidence of purchase date. If the claim comes under the terms of our warranty the Authorized Service Center will REPAIR OR REPLACE PARTS AFFECTED and return the unit prepaid.</p>
--	---	---